

LED AREA LIGHT



FLQ MODEL

DESCRIPTION

SOLTECH Area Lights deliver extreme intensity and high lumen output for area light applications. Superior color, long life and high efficiency allows this luminaire to outperform traditional HID luminaires. The rugged housing and dedicated LED design offers advanced thermal management and protection against outdoor and semi-outdoor environments. Lighting quality and intensity provides benefits for safety and security.

APPLICATIONS:

SOLTECH Area Light is ideal for parking structures, auto dealerships, recreational spaces, roadways, and outdoor aisles.

FEATURES

PERFORMANCE:

Rugged die-cast aluminum housing withstands outdoor environments. Outer surface treated with durable powder coating to provide resistance to corrosion, rust, weathering, and UV degradation. Rated IP65 Performance-engineered, integral heat dissipation fins provides superior thermal management for long life and reliability.

Available in varying ranges:

- 80W
- 100W
- 150W
- 230W
- 300W
- 400W

Lumens are from 10,800-56,000 lumens

HOUSING:

ADC12 aluminum heat sink, outdoor powder coat finish, and waterproof design.

FINISHES:

The FLQ is available in:

- **BR**= Bronze

PHOTOMETRICS:

Please see page 3 for photometric layouts.

All of our IES files will be available at www.soltechlighting.com

OPTICAL LENS:

Precision-formed optical lens system reduces glare and improves safety and security by delivering high-efficiency illumination with precise optical distribution. Type III distribution comes standard.

CONTROL:

Suitable for use with photocell and daylight harvesting to achieve deeper energy-savings and code compliance.



MOUNTING:

The FLQ Line Provides one main attachment.

These can be identified in the Model Specification Sheet as:

- **WM** = Wall Mount
- **YK** = Yoke
- **SF** = Slip Fitter
- **SA** = Straight Arm
- **TR** = Trunnion
- **RPM** = Round Pole Mount
- **SPM** = Square Pole Mount

ELECTRICAL:

Luminaire utilizes long life, high efficacy LEDs and a highly efficient, reliable LED driver. Operating temperatures is -40°F-104°F and 100-277V input voltage for increased versatility.

LED:

LUMILEDS(LED), CRI>70, Low degradation adhesive applied to the LED soldering position on the PCB, for added protection.

CERTIFICATIONS:

UL listed, DLC listed. All components used have UL approval.

WARRANTY:

5-year limited warranty. See complete warranty terms for details.

Warranty Guidelines include but are not limited to:

- The original warranty extends to the original buyer
- Light must be used less than 16 hours a day
- Must be in ambient of -40°F to 104°F

ADDITIONAL INFORMATION:

Competitive lumen efficacy of up to 135LM/W.

Operating Temperature:

-40° ~ 104°F, 6KV surge protection.

More information provided at www.soltechlighting.com/support

LED AREA LIGHT



FLQ MODEL

SUMMARY

HOUSING	ACD12 aluminum heat sink, Outdoor powder coating.
VOLTAGE	100–277V, 50–60Hz AC
LED	LumiLEDs
EFFICACY	135 LM/W
LUMENS@5000K	10,800–56,000 lumens
POWER FACTOR	>0.9
BEAM ANGLE	90° X 120°, Type III
THD	<20%
OPERATING TEMP	-40°F–104°F
ALUMINUM LED BOARD	High conductive, Waterproof, Aging resistance, Salt mist resistance, Long-life.
CONTROLS / DIMMING	0–10V Dimming
CCT	3000K, 4000K and 5000K
CRI	>70
RATED LIFE	70,000 hours

ENERGY PERFORMANCE DATA

MODEL	DIMENSION (in)	VOLTAGE (V)	WATT (W -8%~+5%)	LUMENS @ 5000K(Lm)	EFFICACY (Lm/w)
STLFLQ80XYZZ	12.3X12.6X2.5 in	100–277	80	10,800	135
STLFLQ100XYZZ	12.3X12.6X2.5 in	100–277	100	13,500	135
STLFLQ150XYZZ	12.3X12.6X2.5 in	100–277	150	20,250	135
STLFLQ230XYZZ	14.7X12.6X2.5 in	100–277	230	32,200	140
STLFLQ300XYZZ	17.9X12.6X2.8 in	100–277	300	42,200	140
STLFLQ400XYZZ	22.4X12.6X2.8 in	100–277	400	56,000	140

ORDERING INFORMATION:

Sample Number: STLFLQ804WMBR

SOLTECH Wall Pack FLQ 80 watt, 4000K, Wall mount installation, with a Bronze finish.

SERIES	WATT (W -8%~+5%)	COLOR TEMP (X)	MOUNTING OPTIONS (YY)	FINISH (ZZ)	VOLTAGE (V) (Blank)	OPTIC TYPE (Blank)	DIMMING (Blank)
STLFLQ	80	3=3000K	WM=WALL MOUNT	BR=BRONZE	100–277	90° X 120° TYPE III	0–10V/PWM/VR
	100	4=4000K	YK=YOKE				
	150	5=5000K	SF=SLIP FITTER				
	230		SA=STRAIGHT ARM				
	300		TR=TRUNNION				
	400		RPM=ROUND POLE MOUNT				
			SPM=SQUARE POLE MOUNT				

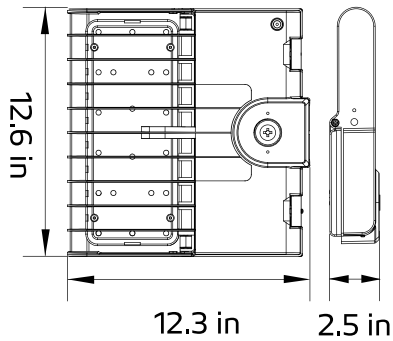
LED AREA LIGHT



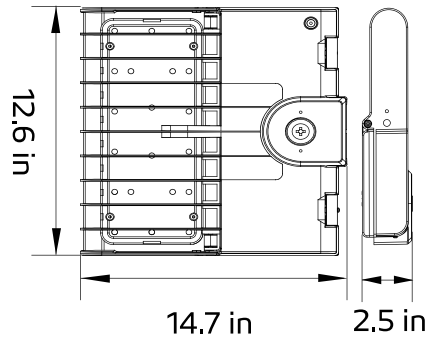
FLQ MODEL

DIMENSIONAL DRAWING

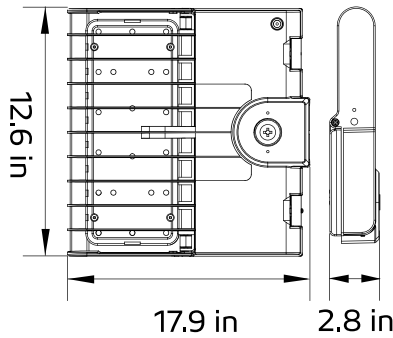
80W, 100W & 150W



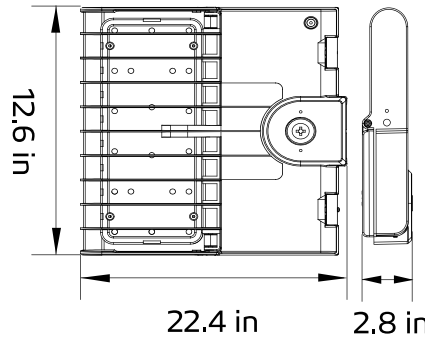
230W



300W

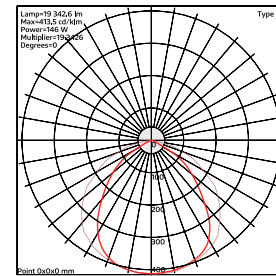


400W

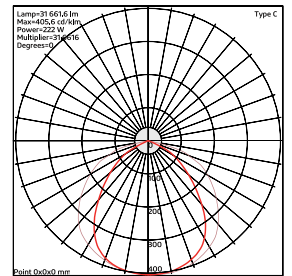


PHOTOMETRICS:

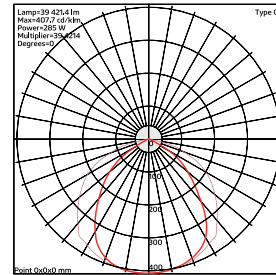
80W, 100W & 150W



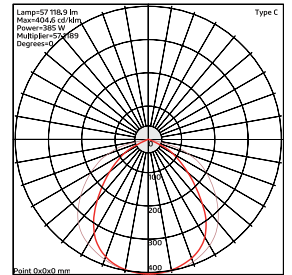
230W



300W



400W



MOUNTING INFORMATION

TRUNNION



YOKE



ADJUSTABLE SLIP FITTER



WALL MOUNT



SQUARE POLE MOUNT



ROUND POLE MOUNT

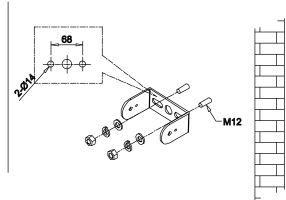


INSTALLATION DIAGRAM

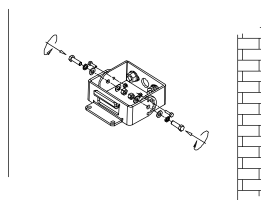
FLQ 80W, 100W, 150W, 230W, 300W, 400W

TRUNNION

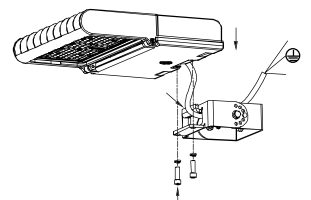
A



B

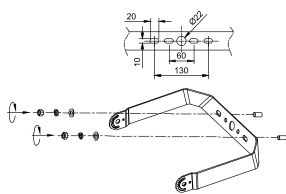


C

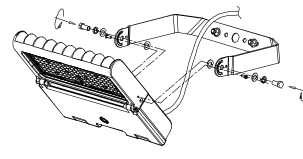


YOKE

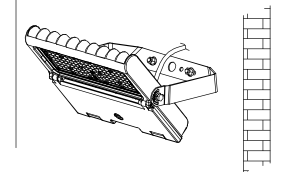
A



B

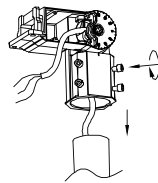


C

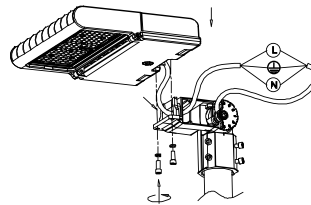


ADJUSTABLE SLIP FITTER

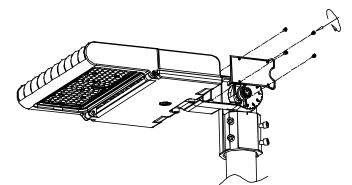
A



B

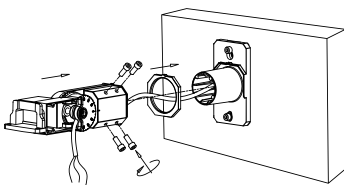


C

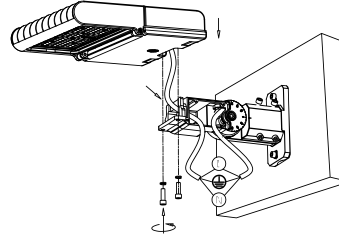


WALL MOUNT

A

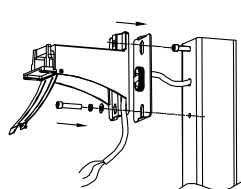


B

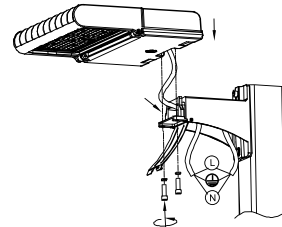


SQUARE POLE MOUNT

A

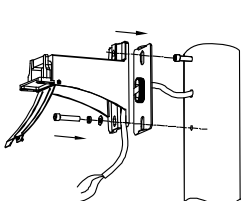


B

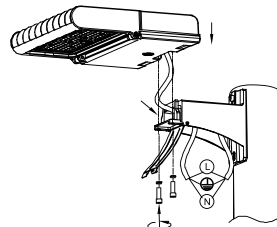


ROUND POLE MOUNT

A



B



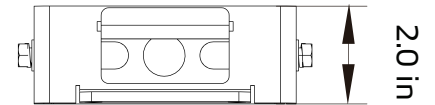
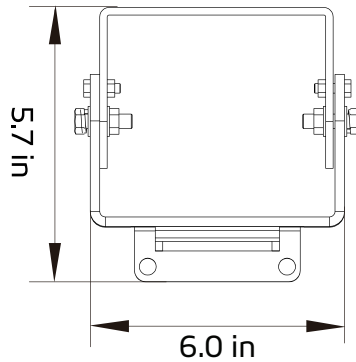
LED AREA LIGHT

FLQ MODEL

ACCESSORIES

DIMENSIONAL DRAWING

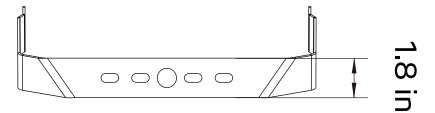
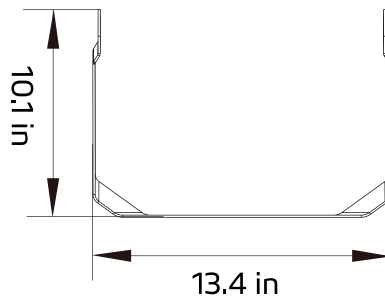
TRUNNION



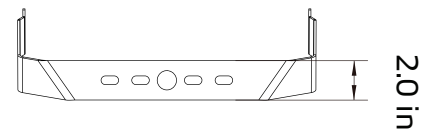
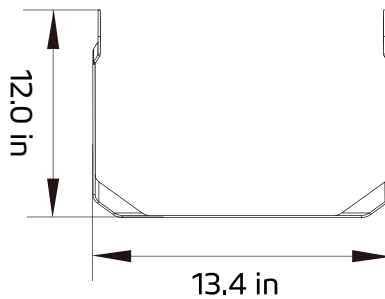
YOKE



80W, 100W, 150W, 230W



300W, 400W



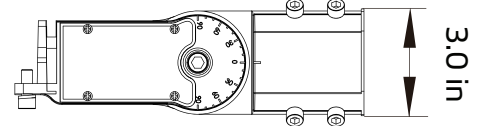
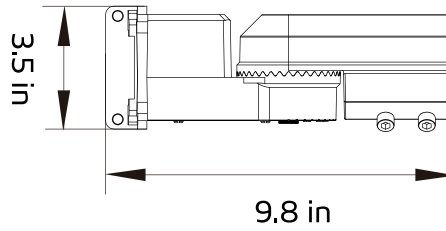
LED AREA LIGHT

FLQ MODEL

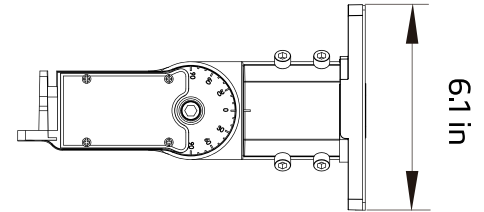
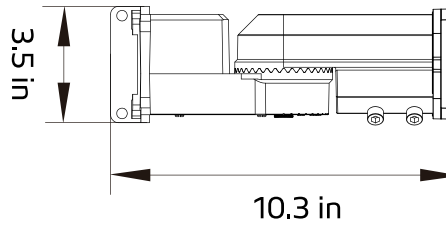
ACCESSORIES

DIMENSIONAL DRAWING

ADJUSTABLE SLIP FITTER



WALL MOUNT



SQUARE POLE & ROUND POLE MOUNT

